

Piezo Diaphragm Series

Special Shape Diaphragm Series

Special Shape Diaphragm

Many Kinds of Special Shape Piezo Diaphragm, Custom Design Welcome...

Hide Technical Data

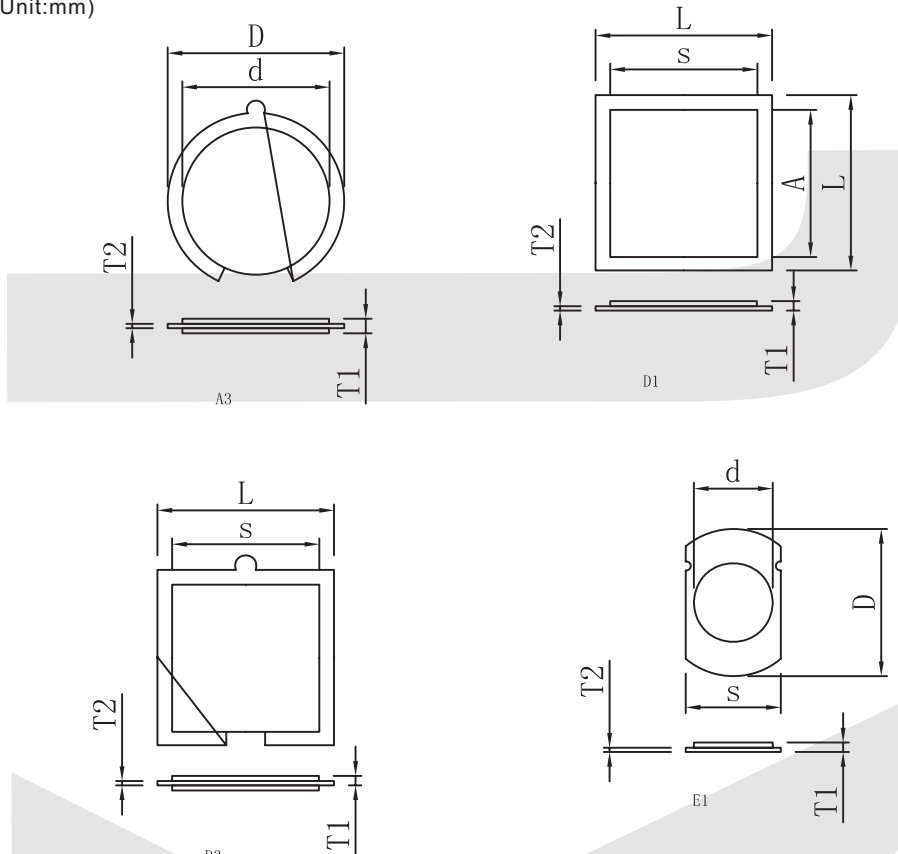
Diameter: 13 mm to 43 mm
 FT: Piezo Diaphragm
 Material: T:Brass, N: Nickel-alloy, G: Stainless Steel

Tolerance:

D (Diameter): $\pm 0.1\text{mm}$
 d (Ceramic Dia): $\pm 0.3\text{mm}$
 T1 (Total Thickness): $\pm 0.05\text{mm}$
 T2 (Ceramic thickness): $\pm 0.03\text{mm}$

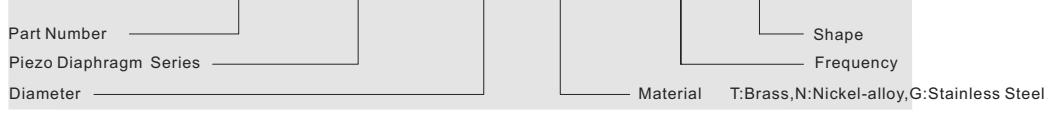


Dimensions (Unit:mm)



ORDER INFORMATION

Product NO.: **KLS3- FT - 13 T - 10 D3**



All specification & dimensions are subject to change, please call your nearest KLS sales representative for update information

Piezo Diaphragm Series

Special Shape Diaphragm Series

Order Code	Shape	C (nF)	Zr (Ω)	Fr (KHz)	D (mm)	d (mm)	T1 (mm)	T2 (mm)	Metal
KLS3-FT-13T-10.0D3	D3	10nF 30%	80	10.0 0.5	13	13	0.5	0.15	Brass
KLS3-FT-13.8N-4.9D1	D1	22nF 30%	300	4.9 0.5	13.8	12	0.22	0.1	Alloy
KLS3-FT-14.2N-4.5D1	D1	70nF 30%	300	4.5 0.5	14.2	12	0.22	0.1	Alloy
KLS3-FT-15T-7.0E1	E1	55nF 30%	300	7.0 0.5	15	8	0.22	0.1	Brass
KLS3-FT-21.5T-3.5A3	A3	160nF 30%	100	3.5 0.5	21.5	20	0.3	0.05	Brass
KLS3-FT-21.5T-3.8A3	A3	100nF 30%	100	3.8 0.5	21.5	20	0.35	0.1	Brass
KLS3-FT-23.5T-4.8A3	A3	120nF 30%	100	4.8 0.5	23.5	22	0.4	0.05	Brass
KLS3-FT-27T-2.8A3	A3	130nF 30%	100	2.8 0.5	27	25	0.35	0.1	Brass
KLS3-FT-43T-2.5A3	A3	150nF 30%	100	2.5 0.5	43	25	0.35	0.1	Brass
KLS3-FT-43T-4.5A3	A3	80nF 30%	100	4.5 0.5	43	25	0.65	0.2	Brass

